

Specification Sheet LX 2120

Roof Drainage DRAINJET[®] Series 49 (DJ) with flat cover

Emergency drainage

Siphonic flow

Silent Power

Discharge:	20.0 l/s
Water height:	75 mm
Roof penetration:	-
Diameter:	DN 70
LX-Number:	LX 2120
Weir height:	35 mm
Cover:	not ventilated
Downpipe:	not ventilated
Downpipe height:	4.2 m
Drainage:	into the open

LX 2120 Piece list

1 x Art.-No. Choose drain on page 2!

1 x Art.-No. 01401.070X, LORO-X pipe with one socket

2 x Art.-No. 00350.070X, LORO-X bend

1 x Art.-No. 01201.070X, LORO-X pipe with one socket

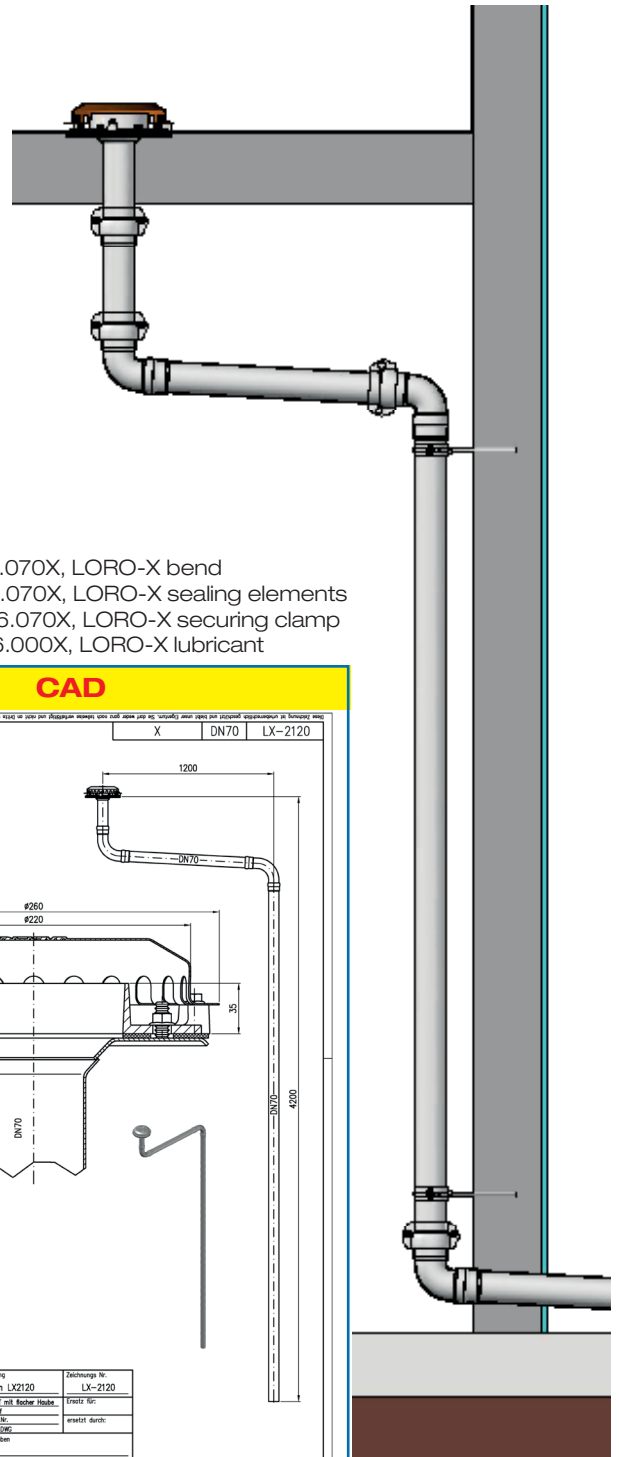
1 x Art.-No. 01011.070X, LORO-X pipe with one socket

1 x Art.-No. 00320.070X, LORO-X bend

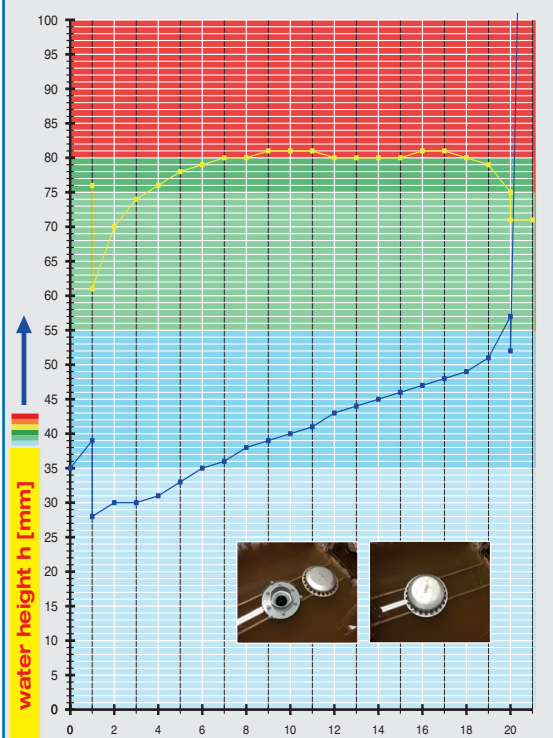
6 x Art.-No. 00911.070X, LORO-X sealing elements

4 x Art.-No. 00806.070X, LORO-X securing clamp

1 x Art.-No. 00986.000X, LORO-X lubricant

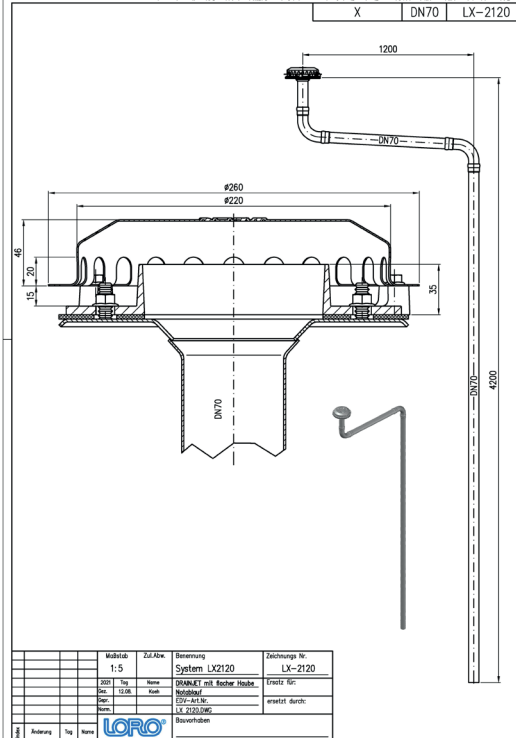


hQ - Discharge curve



System power

CAD



System shape

Water height	mm	25	30	35	40	45	50	55	60	65	70	75	80	85	90	95
Discharge	l/s	-	-	-	10,0	14,0	18,5	19,7	20,0	20,0	20,0	20,0	20,0	20,0	20,0	20,0
Silent Power																

Please choose the respective drain!

DN 70

without thermal insulation:

LX2120-5X

with clamping flange
one-piece
for bituminous and
plastic roofing sheets



Drain
Art.-No. 21301.070X

with thermal insulation:

LX2120-8X

with clamping flange
two-piece
for bituminous and
plastic roofing sheets



Drain
Art.-No. 21332.070X

LORO-DRAINJET[®] cover,
flat version, height 45 mm,
made of stainless steel



Art.-No. 21021.000X

Trace heating: Lorowerk recommends to check all drains and pipes with regard to their frost-sensibility. Where necessary, these parts should be equipped with a trace heating.